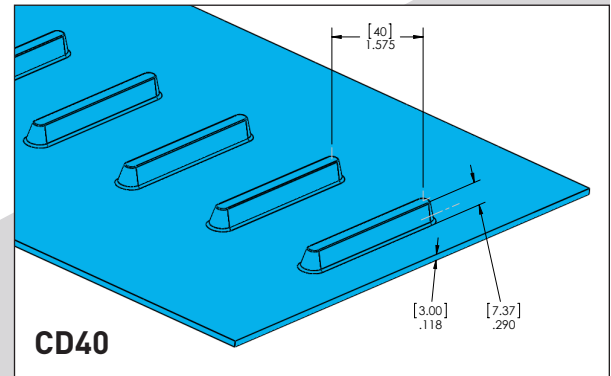


Agilext CD40 - Corded

Agilext CD40 is a nominal 40mm pitch, center driven, positive drive food conveyor belt that reduces the risk of microbiological propagation as well as foreign matter contamination from belt breakage. The belt is Clean-In-Place (CIP) appropriate and will reduce water usage and waste water disposal costs when compared to other belt types.

Product Specifications

Belt Type	Center Drive	
Designator	CD40	
Color	Light Blue, Dark Blue, White	
Hardness, Shore D	55	
Pitch (mm)	40	
Thickness (mm)	3	
Roll Stock Width (mm)	450 to 1,500	
Roll Stock Length (meters)	60	
Belt Weight (Kg/m ²)	3.9	
Min. Pulley Dia. (mm)		
> -4° C +	124	
< -4° C	150	
Min Backbend Dia. (mm)		
> -4° C +	150	
< -4° C	250	
Service Temperature Range C°	-10 to 70	
C of Friction (dynamic/static)		
vs. UHMW	Wet	.35/.58
	Dry	.20/.30
vs. Stainless Steel	Wet	.40/.57
	Dry	.38/.41
Tensile Force for 2% Elongation (N/mm)	11.4	



Product Construction

Resin	Ether Grade Polyurethane
Surface Finishes	Matte (Standard)
	Gloss
	Inverted Pyramid
	Diamond Pattern with Oval Bottom (High Release Properties)
	Crescent
	Sawtooth
Regulatory	Conforms to EU No. 10/2011
	USDA Certified for Compliance with USDA Dairy Equipment Guidelines

Agilext CD40 - Corded

Sprocket Specifications

Number of Teeth		10	11	12	13	15	16	17	20
Outside Diameter	mm	125	137	150	163	188	200	215	250
	inch	4.9	5.4	6	6.4	7.4	7.9	8.4	10
Width	mm	165	165	165	165	165	165	165	165
	inch	1.5	1.5	1.5	1.5	1.5	1.5	1.5	1.5

Disclaimer

All information as to the application, use and performance of the products are recommendations but no representations or warranties of any kind are made as to their completeness, accuracy or suitability for a particular purpose. These products are provided "as is". Agilext disclaims all other warranties, either express or implied, including, but not limited to, implied warranties of merchantability, fitness for a particular purpose, non-infringement, or arising from a course of dealing, usage or trade practice, all of which are hereby excluded to the extent allowed by applicable law. Agilext does not assume any liability concerning the suitability and processability of the products, including indications on process results and output.



Agilext

75 Walch Drive
Portland, ME 04103

sales@agilext.com

+1 207 878-4400

agilext.com